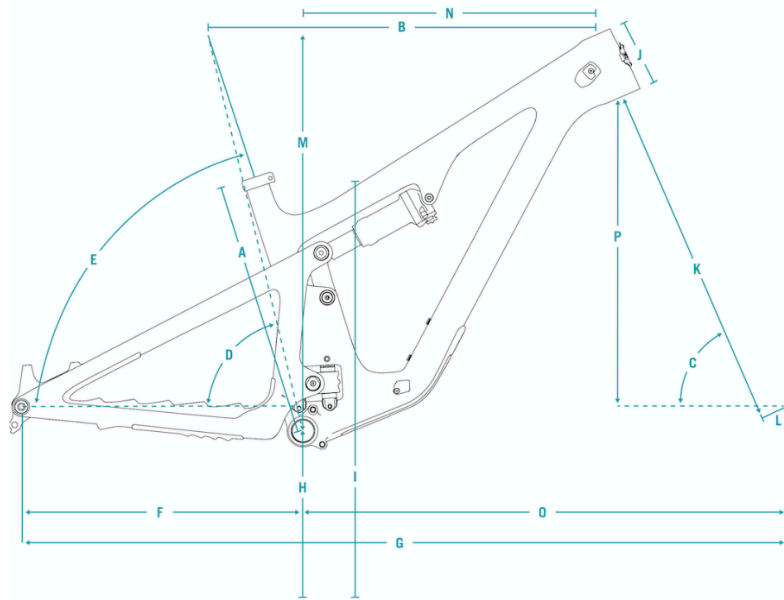
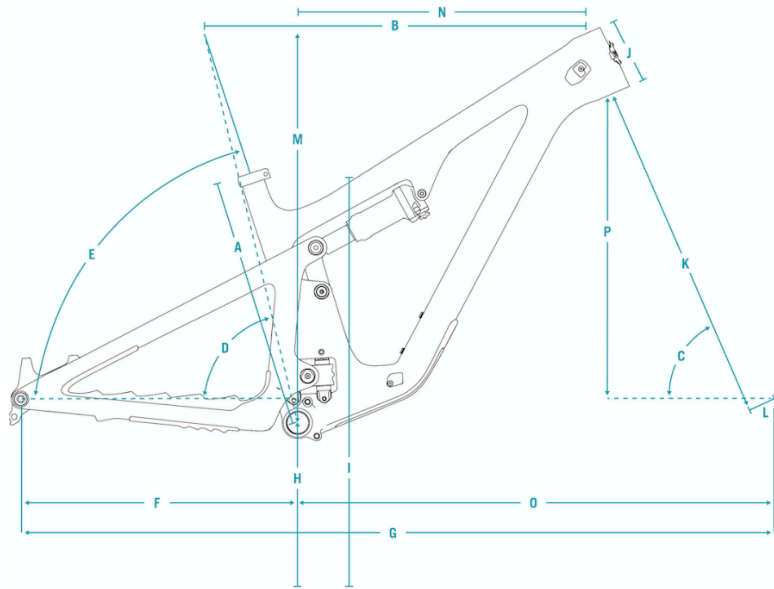


SB120 LR



	XS	SM	MD	LG	XL	XXL
A SEAT TUBE LENGTH	345	365	400	440	470	485
B EFFECTIVE TOPTUBE LENGTH	541	573	604	626	654	673
C HEADTUBE ANGLE	66.2	66.2	66.2	66.2	66.2	66.2
D EFF. SEAT TUBE ANGLE	76.1	76.2	76.2	76.2	76.2	76.2
E ACTUAL SEAT TUBE ANGLE	70.8	71.2	71.6	72.0	72.4	72.9
F CHAINSTAY LENGTH	433	435	437	439	441	443
G WHEELBASE	1125	1160	1194	1220	1252	1277
H ESTIMATED BB HEIGHT	335	337	337	337	337	337
I STANDOVER	708	712	717	721	723	728
J HEADTUBE LENGTH	92	98	104	115	126	147
K FORK AXLE TO CROWN	551	551	551	551	551	551
L FORK OFFSET	44	44	44	44	44	44
M STACK	606	612	617	627	638	658
N REACH	392	422	452	472	497	512
O FRONT CENTER	692	725	757	781	810	834
P VERTICAL FORK TRAVEL	128	128	128	128	128	128

SB120



	XS	SM	MD	LG	XL	XXL
A SEAT TUBE LENGTH	345	365	400	440	470	485
B EFFECTIVE TOP TUBE LENGTH	540	571	603	625	652	672
C HEADTUBE ANGLE	66.5	66.5	66.5	66.5	66.5	66.5
D EFF. SEAT TUBE ANGLE	76.5	76.5	76.5	76.5	76.5	76.5
E ACTUAL SEAT TUBE ANGLE	71.1	71.5	71.9	72.3	72.7	73.2
F CHAINSTAY LENGTH	433	435	437	439	441	443
G WHEELBASE	1122	1157	1191	1217	1249	1274
H ESTIMATED BB HEIGHT	335	335	335	335	335	335
I STANDOVER	699	709	714	718	720	725
J HEADTUBE LENGTH	92	98	104	115	126	147
K FORK AXLE TO CROWN	544	544	544	544	544	544
L FORK OFFSET	44	44	44	44	44	44
M STACK	604	610	615	625	635	655
N REACH	395	425	455	475	500	515
O FRONT CENTER	689	722	754	778	808	831
P VERTICAL FORK TRAVEL	119	119	119	119	119	119